

THE PROPERTY OF THIS DRAWING IS ESTABLISHED BY LAW
IT IS FORBIDDEN TO REPRODUCE IT OR SHOW IT TO THIRD PARTY
WITHOUT A WRITTEN AGREEMENT.

MODIFICATIONS:

7	10
8	11
9	12

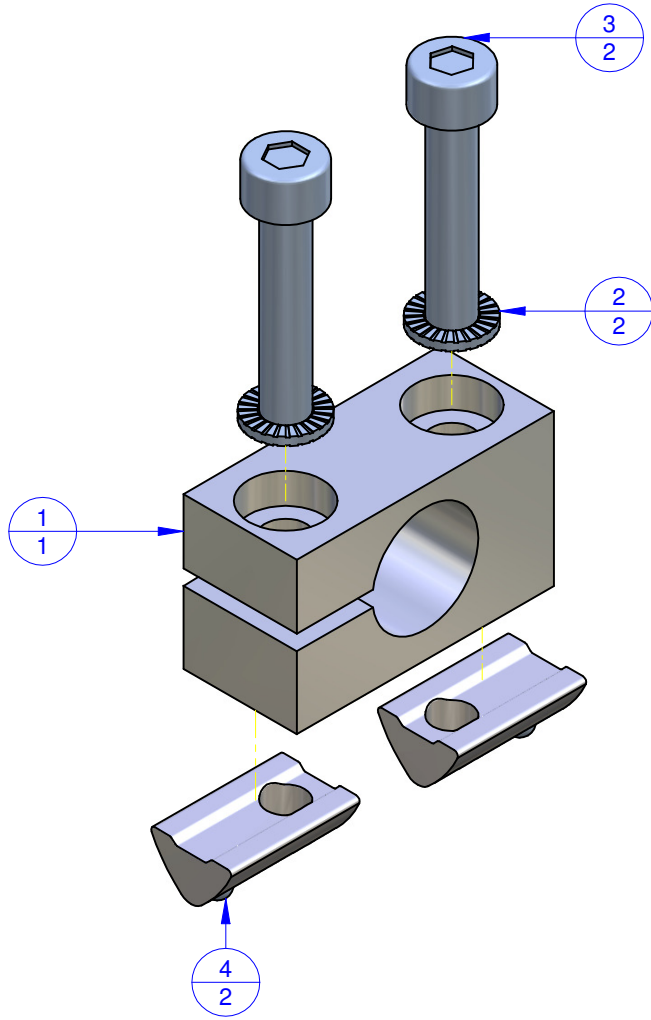
VARIED DIMENSIONS AS OF DATE:

MODIFICATIONS:

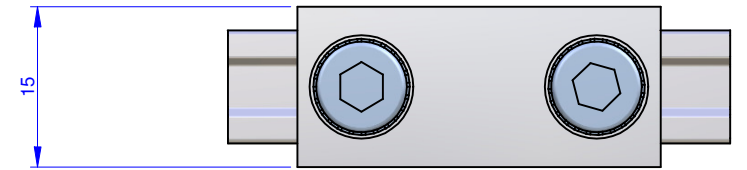
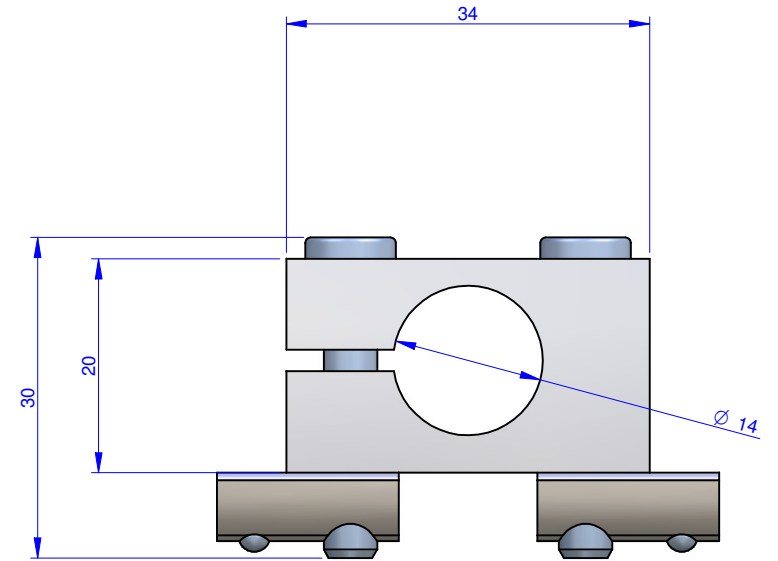
1	4
2	5
3	6

VARIED DIMENSIONS AS OF DATE:

Format **A3**
UNI 936-76



Object Number	Name	QTY
1	CA.03.12.005	1
2	R.5.SCH	2
3	VTCE5X25	2
4	CA.02.05.005	2



FP Services		DESIGNED FROM FPSERVICES	
		DATE 04/2014	WEIGHT 0,040 kg
GENERAL TOLERANCE: UNI - ISO 2768 CLASSE f		DESCRIPTION CA.03.12.005.6	

